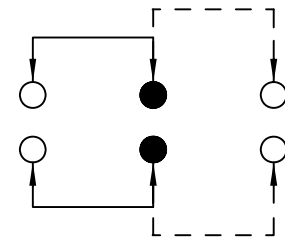
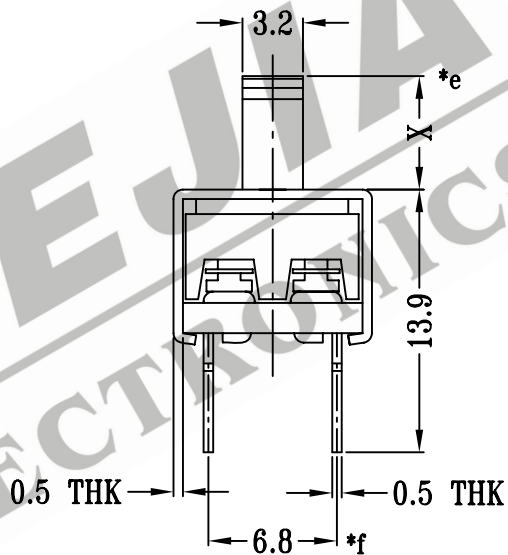
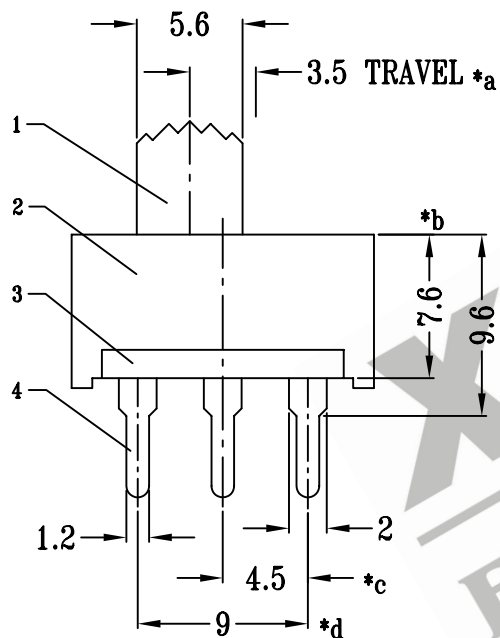
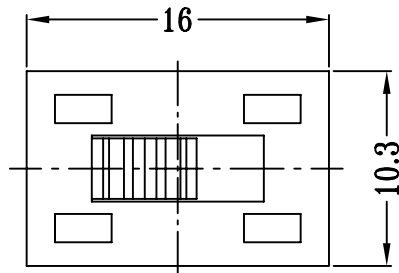
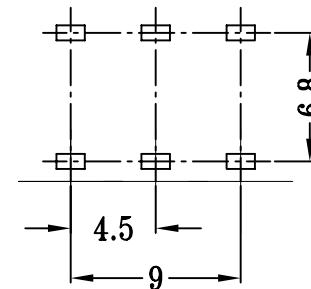


CAD FILE:



SCHEMATIC (NON-SHORTING)



P.C.B LAYOUT

注:带"*"表示关键尺寸(6个)

				TOLERANCE UNLESS SPECIFIED	SHENZHEN XIEJIA ELECTRONICS CO.,LTD.			
8								
7								
6	CONTACT CLIP	COPPER STRIP	2	NATURAL	WITHIN: 1.5±0.1mm	ISSUE	DATE	DESCRIPTIONS OF REVISION
5	SPRING PLATE	PBS STRIP	2	TEMPER	OVER : 1.5±0.2mm			
4	TERMINAL	COPPER STRIP	6	Ag PLATED OVER Ni PLATED	TITLE : VERTICAL SLIDE SWITCH		UNIT : mm	DRWG NO.: XJ-DR-SS22G88-00
3	BASE	PHENOLIC RESIN	1	BLACK	MODEL: SS-22G88		SCALE: 5:2	DWN. ZHOUYU 2004-11-10
2	FRAME	STEEL STRIP	1	Ni PLATED				CHK'D FANGYING 2004-11-10
1	KNOB	PC	1	BLACK	ALL MATERIALS MUST BE COMPLIANT TO ROHS			APPD. KANGXINAN 2004-11-10
NO.	PARTS	MATERIALS	Q'TY	FINISH				